

LED FLASHLIGHT CONSTRUCTION

Inventor: Kevin L. Tally

Serial No. 10/714,485 - Art Unit 2875

Attorney Docket No. 10628.00087

Sheet 1 of 5

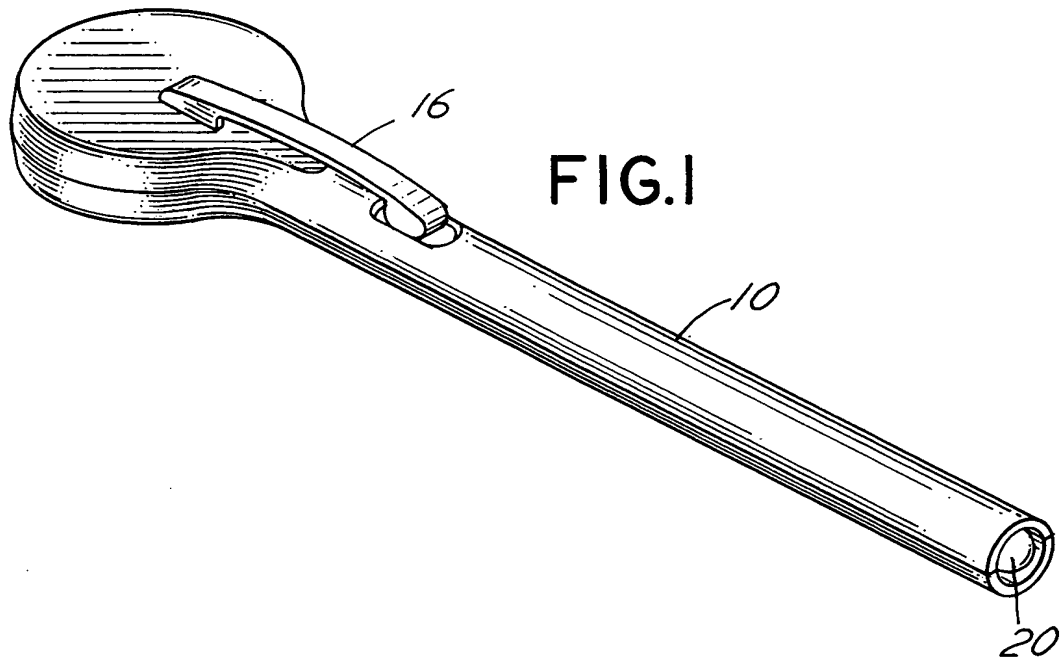
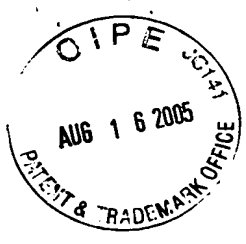


FIG. 1

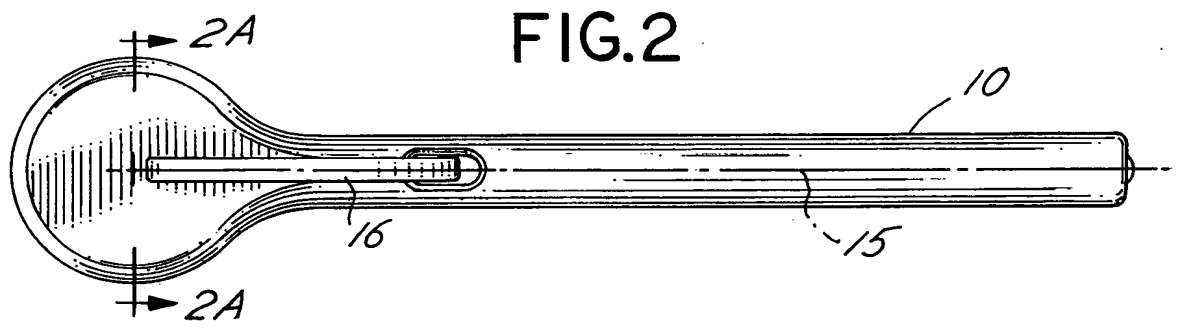


FIG. 2

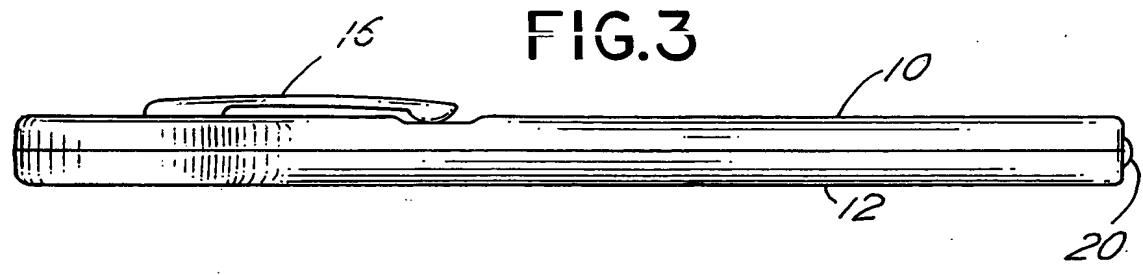


FIG. 3

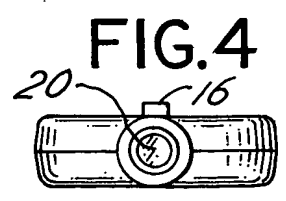


FIG. 4



LED FLASHLIGHT CONSTRUCTION

Inventor: Kevin L. Tally

Serial No. 10/714,485 - Art Unit 2875

Attorney Docket No. 10628.00087

Sheet 3 of 5

FIG.5

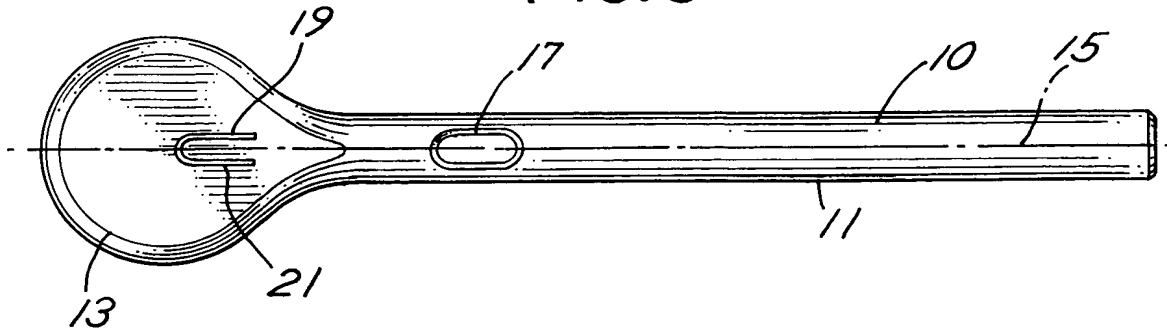


FIG.6A



FIG.6

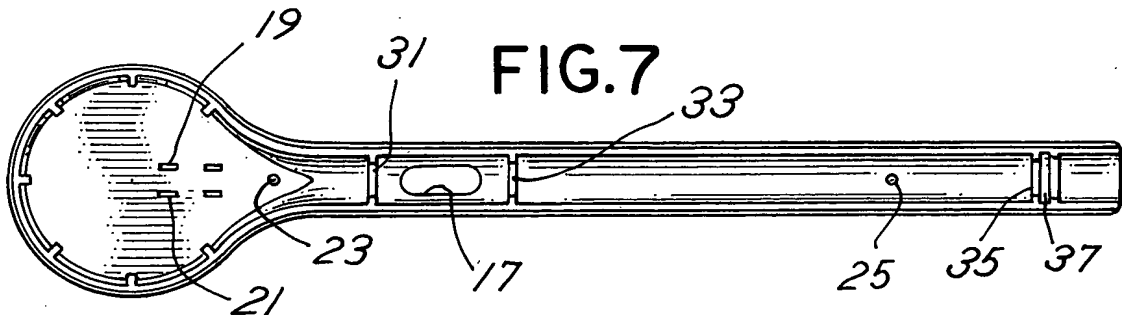
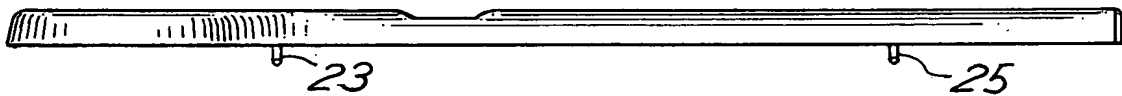


FIG. 9

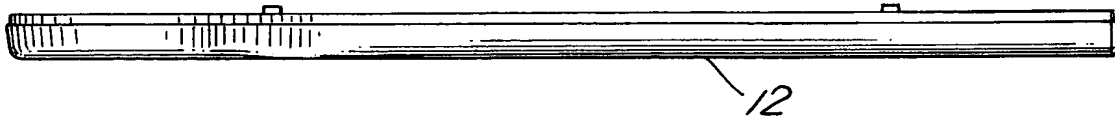


FIG. 9A



FIG. 8

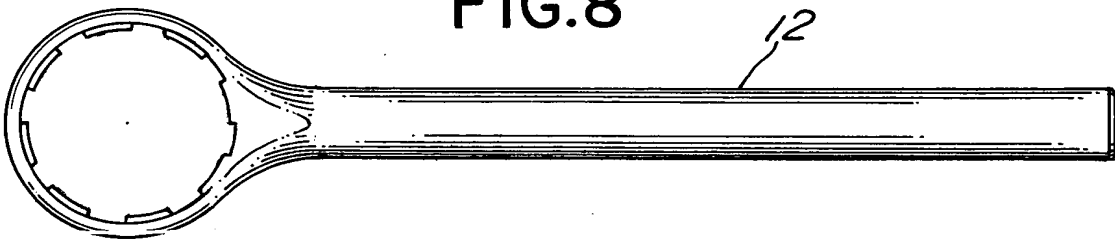


FIG. 10

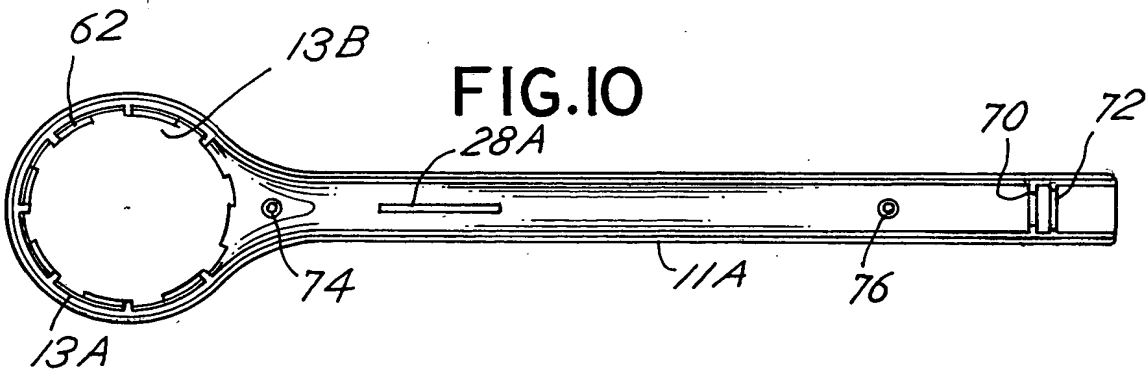


FIG.12

